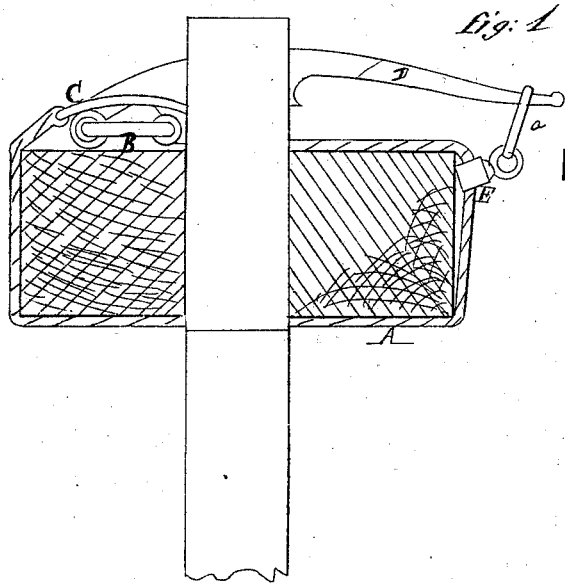
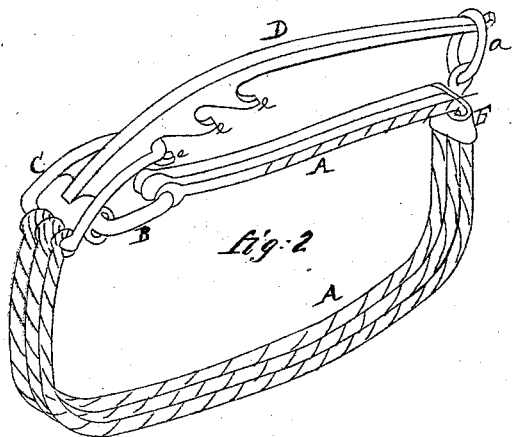


John M. Hurlinger's Lashing and Binding

72041



PATENTED  
DEC 10 1867



Witnesses

A. A. Yeatman  
Lonely, Cal.

Inventor

John M. Hurlinger  
per  
Alexander Mason  
[Signature]

United States Patent Office.

JOHN M. HIRLINGER, OF RED ROCK, PENNSYLVANIA.

Letters Patent No. 72,041, dated December 10, 1867.

IMPROVED DEVICE FOR LASHING AND BINDING.

The Schedule referred to in these Letters Patent and making part of the same.

TO ALL WHOM IT MAY CONCERN:

Be it known that I, JOHN M. HIRLINGER, of Red Rock, in the county of Luzerne, and in the State of Pennsylvania, have invented certain new and useful Improvements in Lashing and Binding; and do hereby declare that the following is a full, clear, and exact description thereof, reference being had to the accompanying drawings, and to the letters of reference marked thereon.

In the annexed drawings, making part of this specification, A represents a cord, or one or more cords, secured together, and having the links C and B secured to each end. E represents a slide, which passes over the cord A, and to this slide is secured a ring, *a*. D represents a lever, with a series of hooks, *e e*, upon one side of it. One end of this lever is free, while the other end is made fast to the link B.

In using this binder, the cord (or cords) A is placed around the article, and the lever D passed through the link C, and said link is caught in one of the hooks *e e e* of the lever. The free end of the lever is then brought down so as to be caught in the ring *a* of the slide E. By shifting the loop or link C into the different hooks, the cord is tightened or loosened. The slide E is easily adjusted upon the cord so that its ring will catch over the end of the lever.

Having thus fully described my invention, what I claim as new, and desire to secure by Letters Patent, is—

The cord A, provided with the links B and C, hooked lever D, and slide E, with its ring *a*, arranged and used as and for the purpose set forth.

In testimony that I claim the foregoing, I have hereunto set my hand, this 16th day of September, 1867.

JOHN M. HIRLINGER.

Witnesses:

JACOB STEEL,

A. N. MARR.